

4

3

2

1

D

D

C

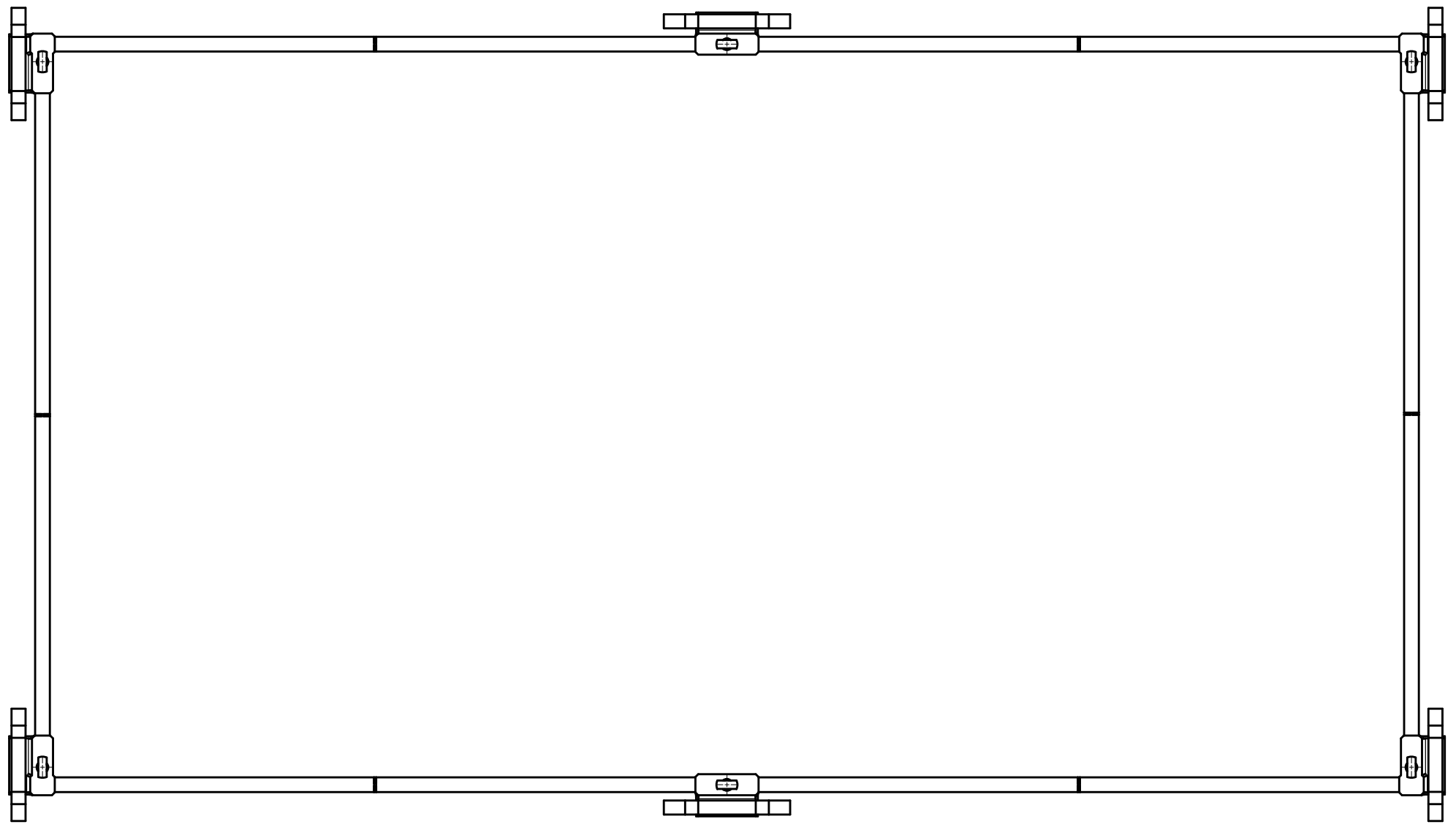
C

B

B

A

A



| | | | |
|-------|------|---|--------|
| TITLE | | XRP Empty Field | |
| SIZE | B |  | |
| SCALE | 1:10 | WEIGHT | |
| | | SHEET | 1 of 7 |

4

3

2

1

4

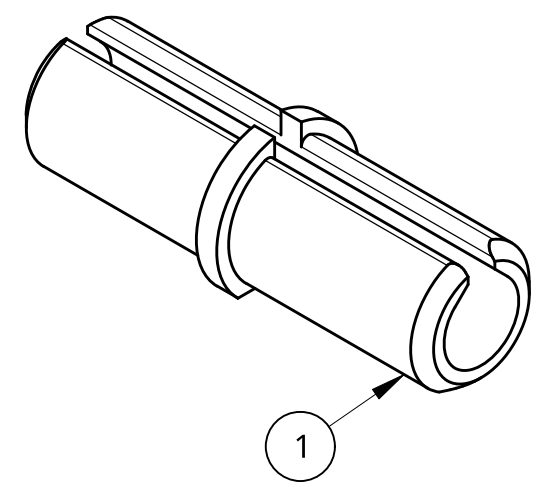
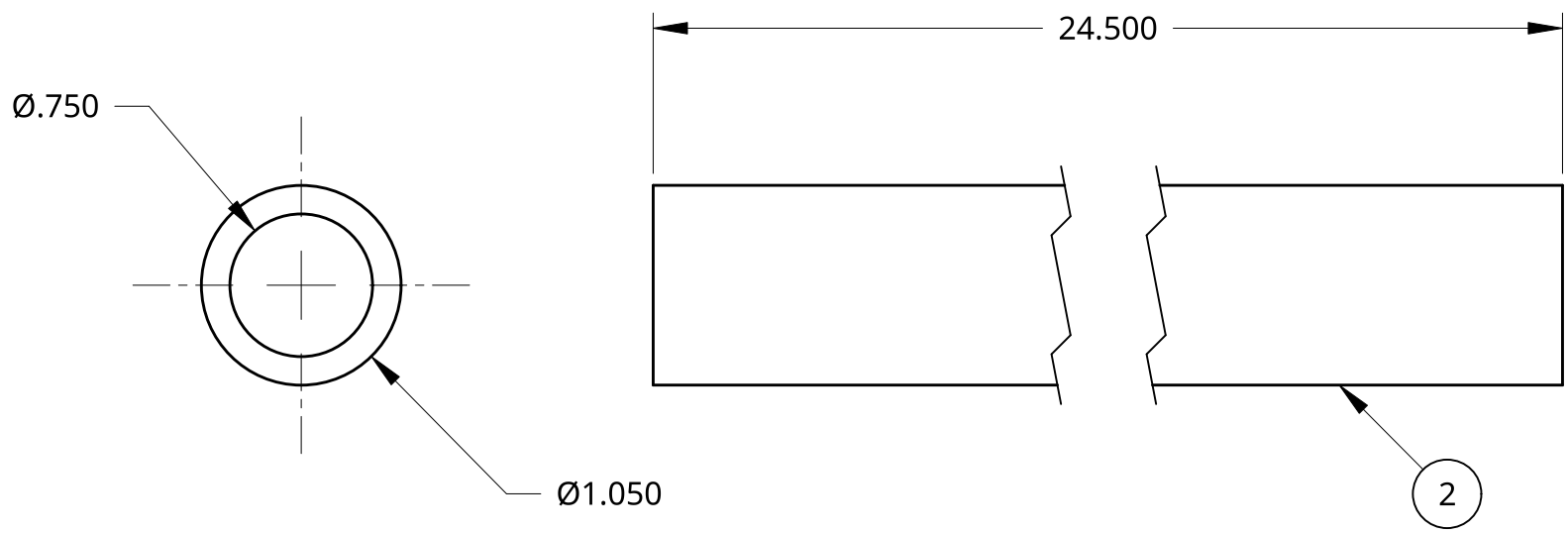
3

2

1

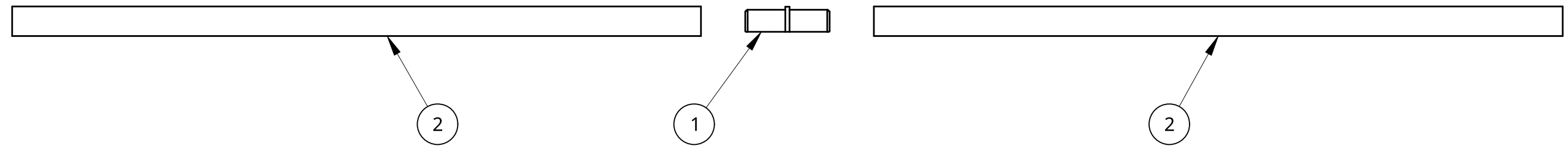
D

D



B

B



A

A

| ITEM NO. | ITEM | QNT |
|----------|---|-----|
| 1 | Pipe Extender (3D Print) | 1 |
| 2 | AndyMark HIPS Pipe (am-5107) Or 0.75 Schdule 40 PVC | 2 |

NOTES:
 Assemble 6 of these
 Optional Pipe Extender otion for size variation

4

3

2

1

4

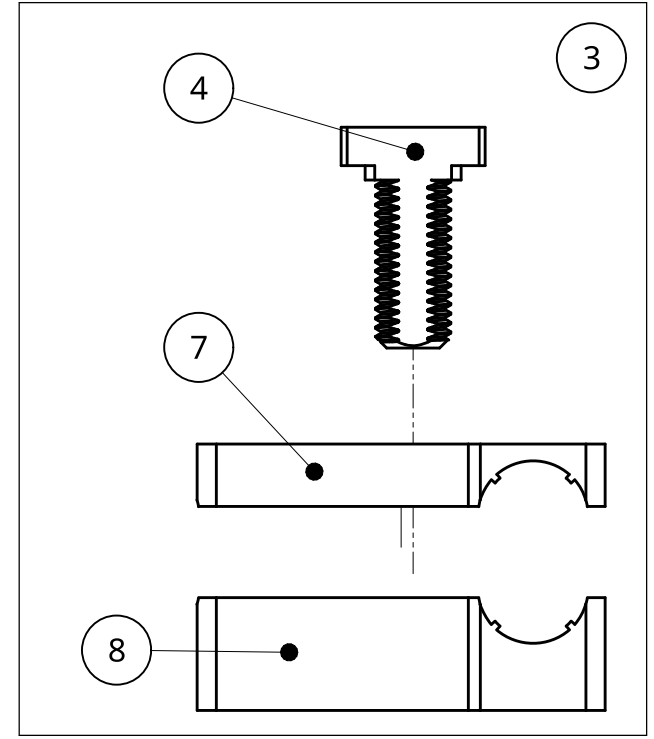
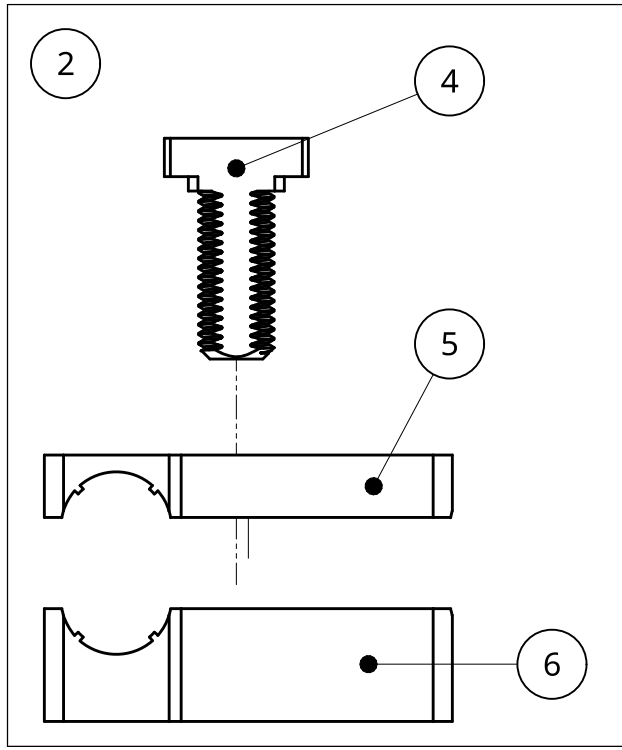
3

2

1

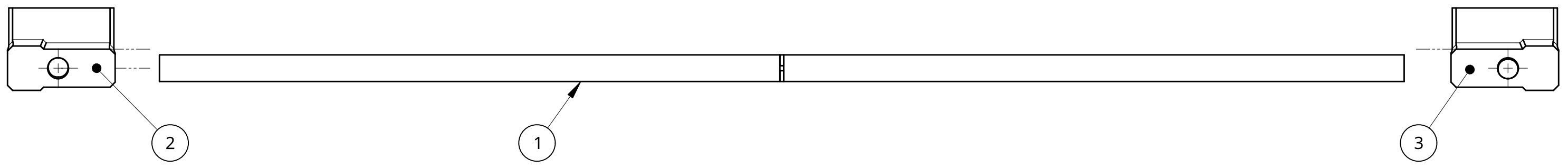
D

D



C

C



B

B

| ITEM NO. | ITEM | QNT |
|----------|--|-----|
| 1 | Pipe Extender Assembly | 1 |
| 2 | Wall Corner Left Assembly | 1 |
| 3 | Wall Corner Right Assembly | 1 |
| 4 | Boundary Screw (3D Print) | 2 |
| 5 | Boundary Corner Upper (3D Print) | 1 |
| 6 | Boundary Corner Left Lower (3D Print) | 1 |
| 7 | Boundary Corner Upper (3D Print) | 1 |
| 8 | Boundary Corner Right Lower (3D Print) | 1 |

NOTES:
Assemble 2 short sides

A

A

4

3

2

1

4

3

2

1

D

D

C

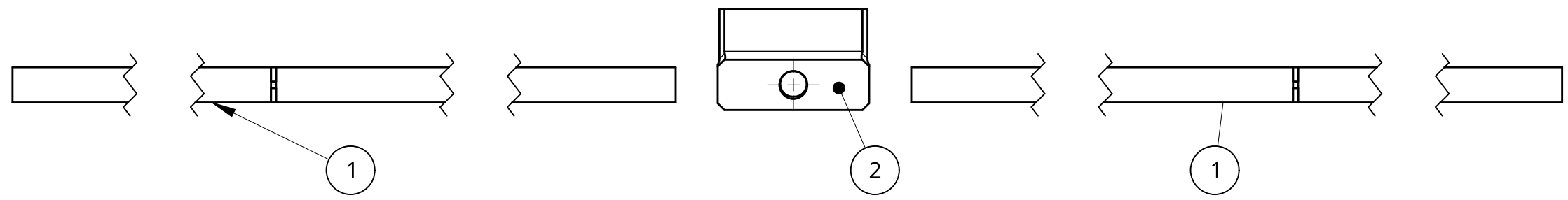
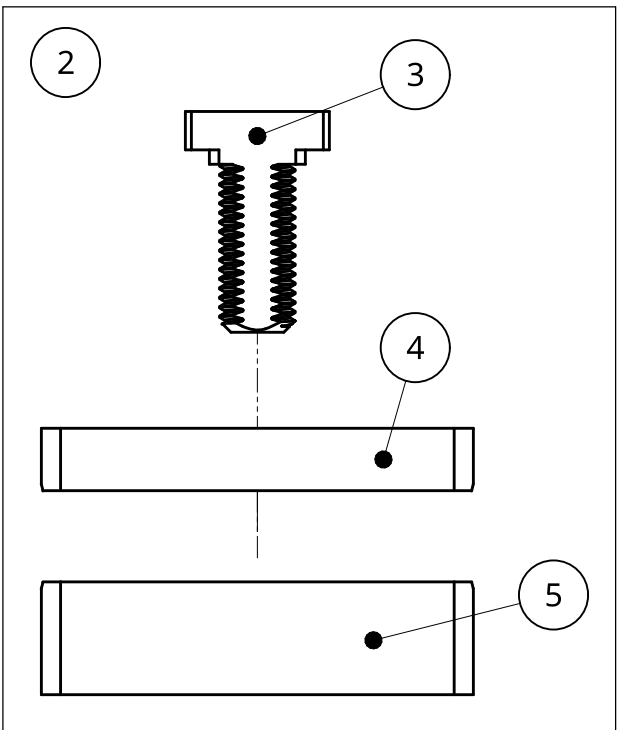
C

B

B

A

A



| ITEM NO. | ITEM | QNT |
|----------|----------------------------------|-----|
| 1 | Pipe Extender Assembly | 2 |
| 2 | Center Boundary Assembly | 1 |
| 3 | Boundary Screw (3D Print) | 1 |
| 4 | Boundary Center Upper (3D Print) | 1 |
| 5 | Boundary Center Lower (3D Print) | 1 |

NOTES:
Assemble 2 long sides

4

3

2

1

4

3

2

1

D

D

C

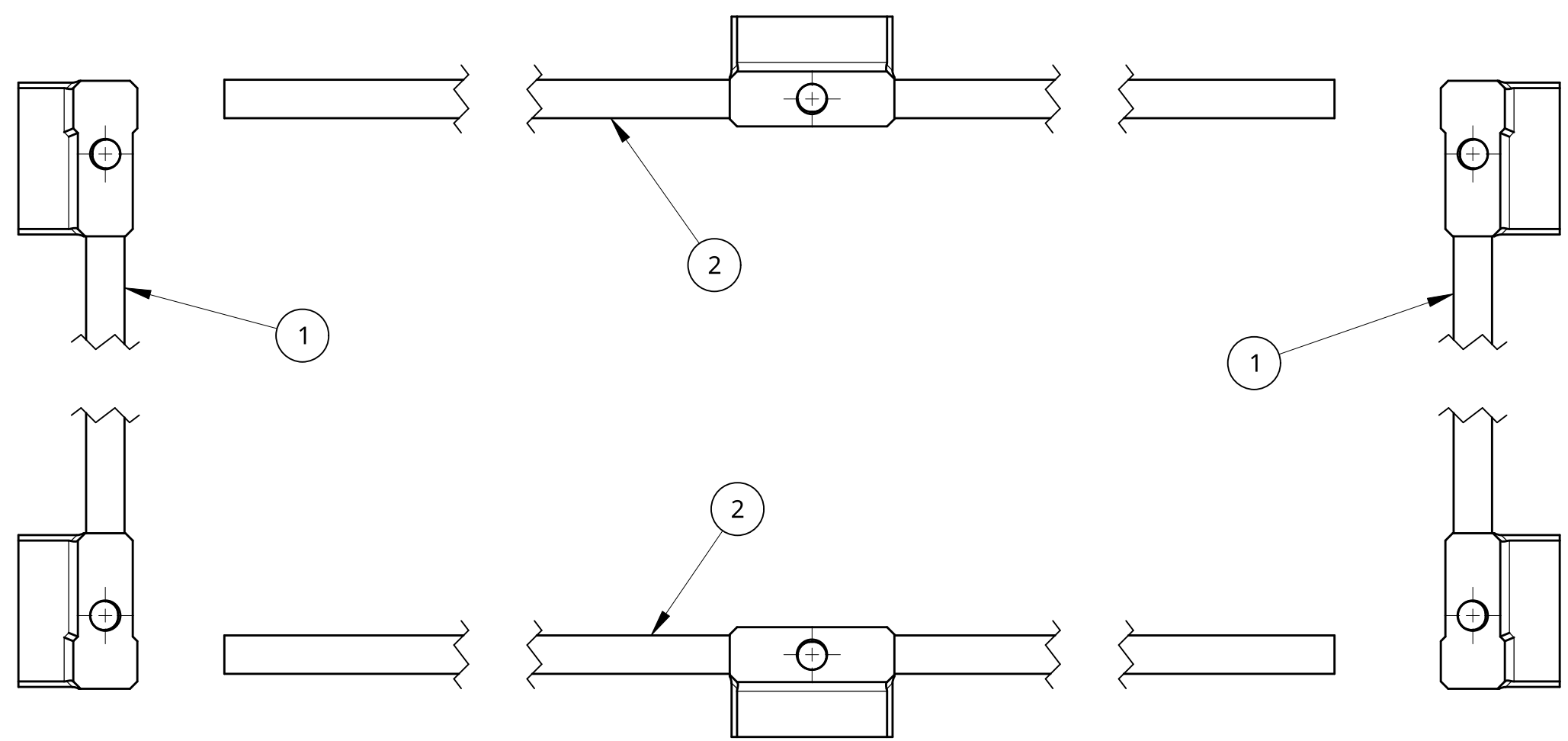
C

B

B

A

A



| ITEM NO. | ITEM |
|----------|---------------------|
| 1 | Short Side Assembly |
| 2 | Long Side Assembly |

NOTES:
Keep all tape flats on the outside of the field

4

3

2

1

4

3

2

1

D

D

C

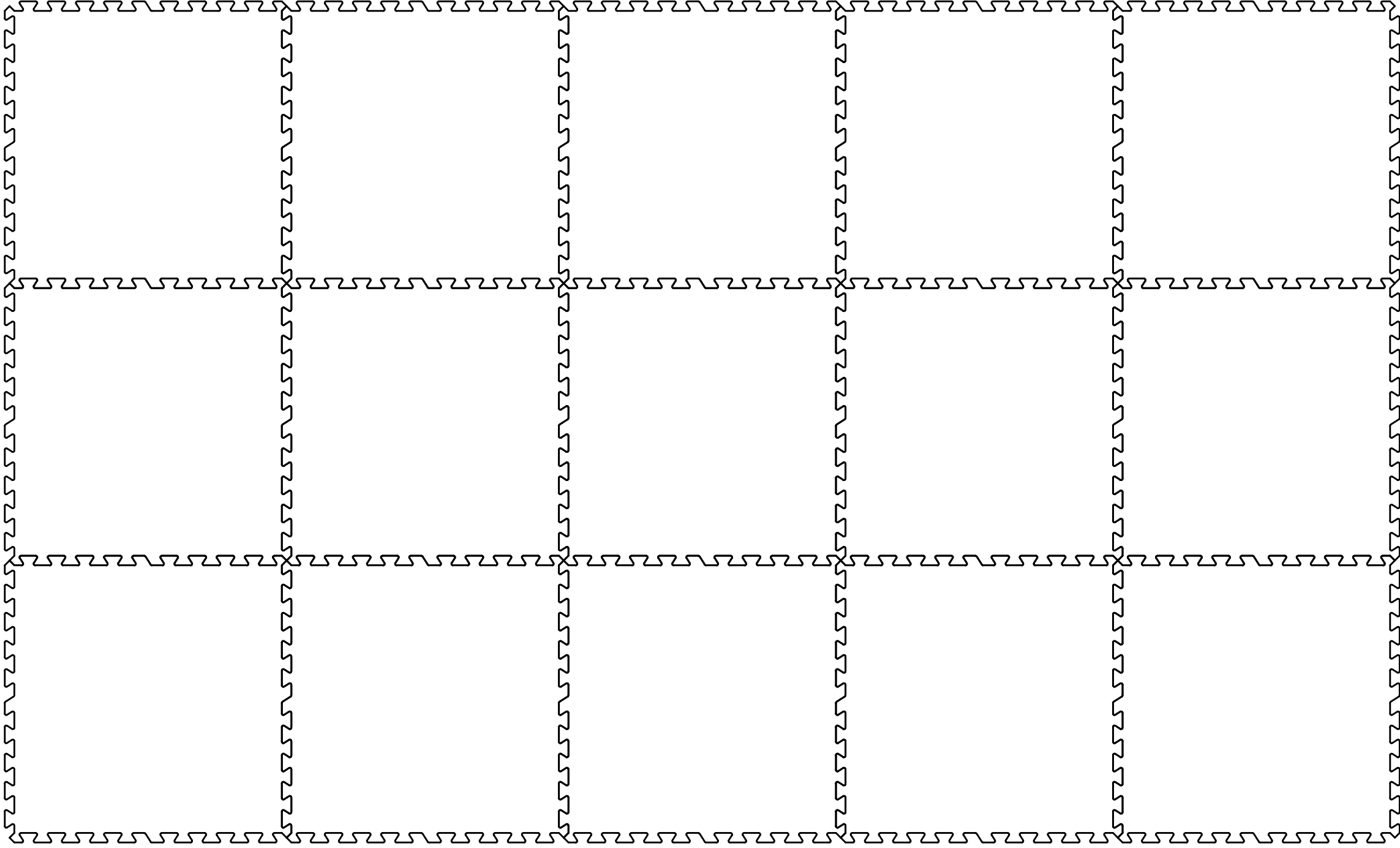
C

B

B

A

A



| ITEM | QNT |
|------------------|-----|
| 24 In Foam Tiles | 15 |

| | | | |
|-----------|---------------|-----------------|------|
| SIZE B | SCALE 1:10 | SHEET 6 of 7 | REV. |
|-----------|---------------|-----------------|------|

4

3

2

1

4

3

2

1

D

D

Notes
Align center of field to the center
foam tile.

Place 1 inch gaffers tape on each
tape flat.

Keep in mind, if you are adding
game elements. Most times
these will be attached to the
boundary.

C

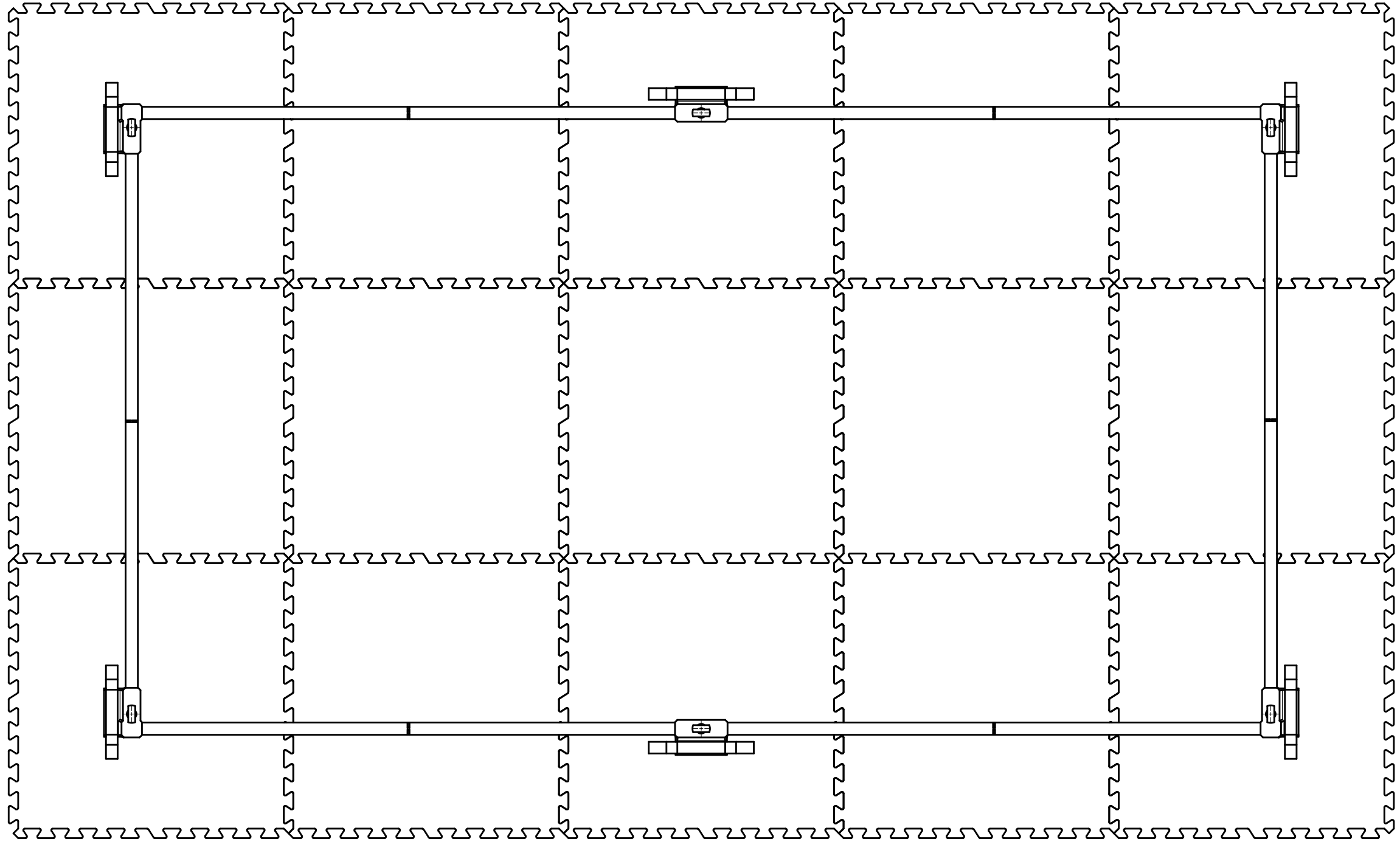
C

B

B

A

A



4

3

2

1